

Curtis®

*Rich in Design Rich in Features
Rich in Profits*



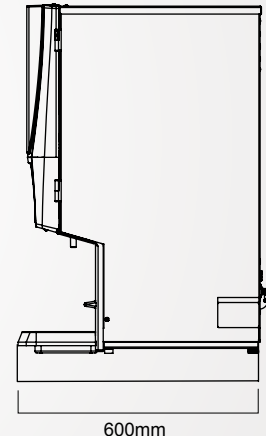
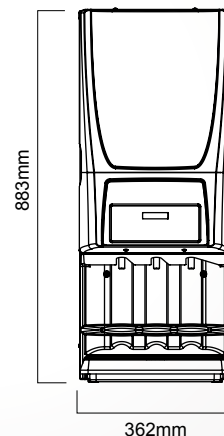


PCGT3

HOT CAPUCCINO DISPENSER

Specification

Hoppers	: 3
Hopper Capacity	: 2-10 lb & 1-5 lb
Water Tank (gallon)	: 5.25
Cup Clearance (mm)	: 218
Voltage (Volt/Hz)	: 220 V/50 Hz/1 ph
Power (Watt)	: 3,700
Dimension(mm)	: 362W x 600D x 883H
Water Inlet	: 1/4"



Feature

- Provides precise control over all critical blending and dispensing functions.
- Adjust powder flow in 5% increments and water temperature from 80°F to 200°F to create the perfect hot or cold beverage for your operation.
- For out-of-the-box operation.
- Ensure smooth, high-speed blending of powdered drinks.
- Loped whipping motors ensure smooth, high-speed blending of powdered drinks.
- Precisely senses water temperature and level to maximize energy efficiency and prevent heating element burnout.

Curtis[®]

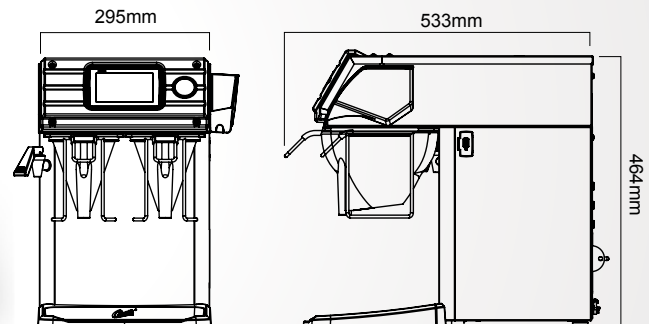
G4 CGC

GOLD CUP SINGLE CUP BREWER



Specification

Brew Capacity (gal/h)	: 5
Voltage (Volt/Hz)	220/60
Power (watt)	: 2379
Dimension(mm)	295Wx533Dx464H
Cup clearance (mm)	: 175
Water Inlet	: 1/4"



Feature

- Powerful digital controls and ultimate programming flexibility.
- Quick navigation to temperature, timers, pre-infusion, pulsing and more allow for finely tuned, exacting programming
- The Curtis Gold Cup has a pre-wet function that streams hot water over the paper filter to eliminate any undesirable paper taste prior to brewing
- With the Curtis Gold Cup you can instantly update firmware and software through its USB port
- Hot water faucet is perfect for either pre-heating a cup or drawing hot water for tea

Curtis®

MFK.co.id

PT MULTI FLASHINDO KARISMA

Jakarta : Jl. Hayam wuruk 114 Blok A No. 4, Jakarta - Indonesia 11160
Telp. (62-21) 626 8758, Fax. (62-21) 625 8473

Surabaya : Jl. Sarono Jiwo No.4 - Surabaya 60299
Telp. (62-31) 8471460, Fax. (62-31) 8471474

 sales.dept@mfk.co.id

 [mfk pt](#)

 [MFK Channel](#)

 [mfk_pt](#)

 [MFK PT](#)

 [MFK_PT](#)

 [MFK_PT](#)

 [MFK PT](#)