



| | | | |
|------------|---|------|---|
| Item No | : | Qty | : |
| Electrical | : | Volt | : |
| Options | : | | |
| Price | : | | |

ZIP HYDROTAP G4 BC 160/175

Features:

► Adjustable water temperature: boiling water 100°C to 68°C, chilled water 5°C to 14°C. Power-Pulse™ electronic technology controls the set boiling water temperature within 0.2° C.

► Zip HydroTap Boiling, Chilled, Filtered water appliance featuring a single under bench command centre including full colour interactive touch screen display with pin code protection, 2 boiling water safety modes, 3 energy saving modes including sensor activated "sleep when its dark" and 0.2 micron water filtration.

► Zip HydroTap Boiling, Chilled, Filtered water appliance featuring a single under bench command centre including full colour interactive touch screen display with pin code protection, 2 boiling water safety modes, 3 energy saving modes including sensor activated "sleep when its dark" and 0.2 micron water filtration.

► Sleeps or powers OFF after 2 hours of nonuse. Plus inbuilt 24/7 on/off timing allowing power to be turned off for weekday or weekend periods.

► Zip 0.2 micron filter puts crystal-clear, better-tasting water on tap, filtering out chlorine taste and odor, lead, and impurities as tiny as one five-thousandth of a millimeter, including protozoan cysts such as Cryptosporidium. Also reduces accumulation of mineral scale in boiling water appliances, but does not remove beneficial fluoride.

► Boiling Cups per hour : 160
Chilled Cups per hour : 175



Model : HT1704

Specifications :

| | | |
|------------------|---|--|
| Dimension | : | H333mm x W394mm x D464mm |
| Power Rating | : | 2.2kW 220-240V 50/ 60Hz |
| Power Supply | : | 1 x 10Amp GPO |
| Water Pressure | : | Min 172kPa - Max 700kPa |
| Water Connection | : | 12.7mm BSP |
| Water Valves | : | Integrated 500kPa Pressure limiting valve and Dual Check Valve |

* Continuing research results in steady improvements; therefore, these specifications are subject to change without prior notice.



PT MULTI FLASHINDO KARISMA

Jakarta

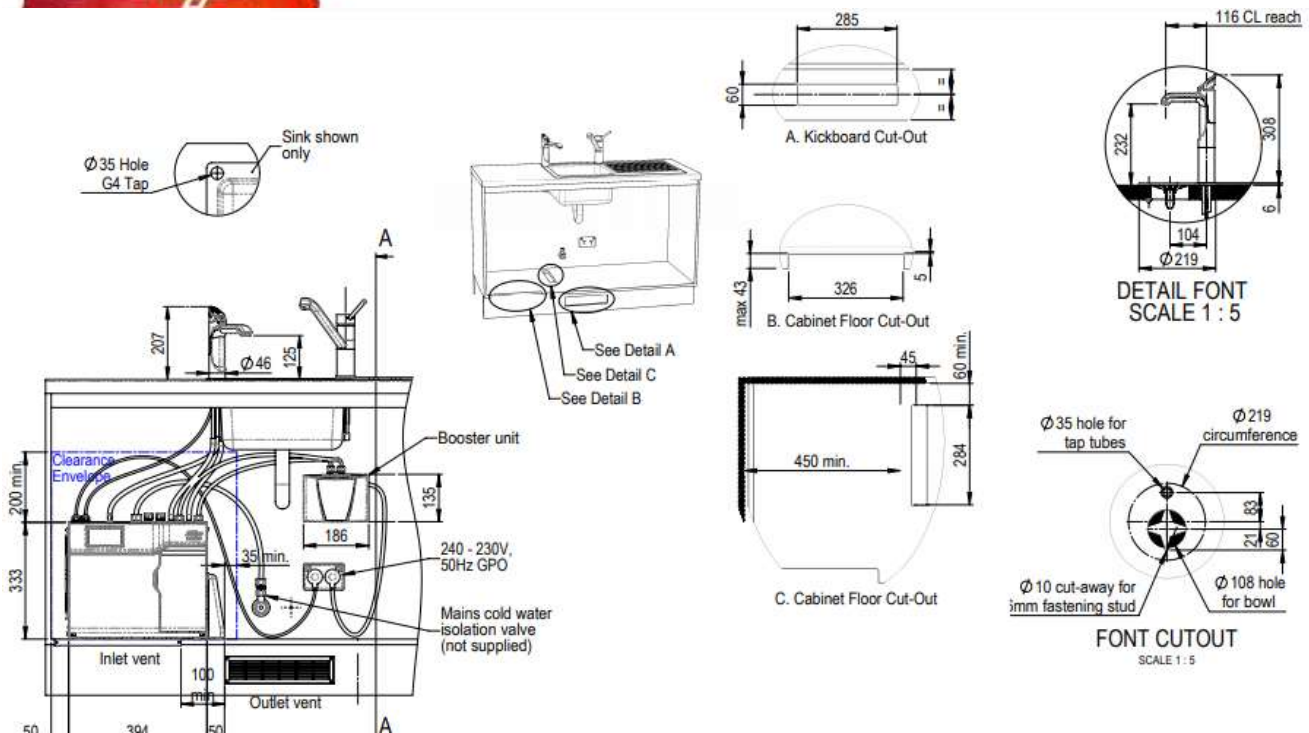
Jl. Hayam wuruk 114 Blok A No. 4
Jakarta - Indonesia 11160
Telp. (021) 626 8758,
Fax. (021) 625 8473

Surabaya :

Jl. Sarono Jiwo No.4
Surabaya - Indonesia 60299
Telp. (031) 847 1460,
Fax. (031) 847 1474

Service Center :

Jl. Kamal Raya No.9 RT01/06, Tegal Alur - Cengkareng
Telp. (021) 5595 2523/ 2952 8135
Fax. (021) 5595 7271
Email: service.center@mfk.co.id



Installation Requirements

1. Installation and connection of your Zip HydroTap must be carried out by a qualified person, observing national and local regulations.
2. You will require suitable mains electrical and drinking water connections, plus waste water drainage all within 1.5 meters of the product.
3. HydroTap is air-cooled so discrete cabinetry cut-outs are required for ventilation.
4. Installation on most bench tops is straightforward however some stone bench tops may require a specialized cutting service.
5. If you live in a hard water area, we recommend installation of a Zip scale filtration kit.
6. Installation by Zip Professional Service can be arranged with a phone call Service MFK www.mfk.co.id



PT MULTI FLASHINDO KARISMA

Jakarta

Jl. Hayam wuruk 114 Blok A No. 4
 Jakarta - Indonesia 11160
 Telp. (021) 626 8758,
 Fax. (021) 625 8473

Surabaya :

Jl. Saronu Jiwo No.4
 Surabaya - Indonesia 60299
 Telp. (031) 847 1460,
 Fax. (031) 847 1474

Service Center :

Jl. Kamal Raya No.9 RT01/06, Tegal Alur - Cengkareng
 Telp. (021) 5595 2523/ 2952 8135
 Fax. (021) 5595 7271
 Email: service.center@mfk.co.id