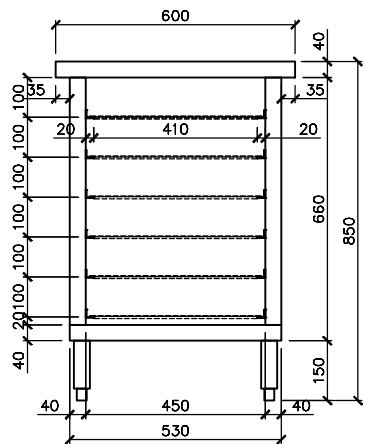
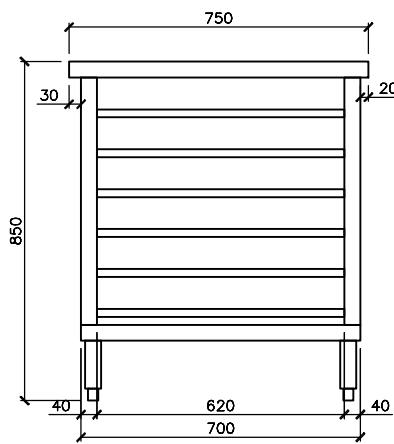


TOP



FRONT

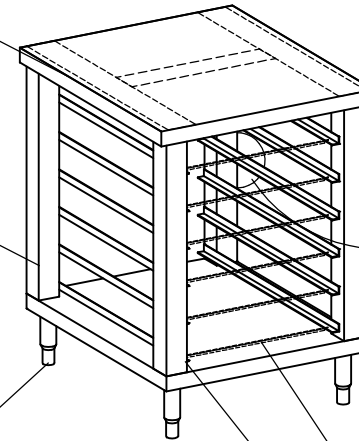


SIDE

Top + Frame Reinforcement
S/S T=1.5mm
Beban maks.40 kgs

Frame
S/S Hollow 40x40mm

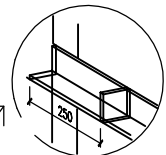
S/S Pipe Leg ϕ 1 1/2 "
w/Adjustable Bullet Feet



ISOMETRIC

Space For 6xPan 430x345x5mm
Tecnoeka Pan

S/S L-Shape 20x20mm
w/stopper at 250mm from back



Detail Stopper
(Jarak 250mm dari belakang)



TITLE : S/S STAND TABLE W/ANGLE RACK
FOR CONVECTION OVEN
KITCHEN EQUIPMENT
CUSTOM FABRICATED SHOP DRAWING

DATE	22-08-19	DRAWN BY	EFF	ITEM NO. -
SCALE	NTS	CHECKED BY		
REV. NO.	-	APPROVED BY		QTY. 1 UNIT
REF. DWG	-			