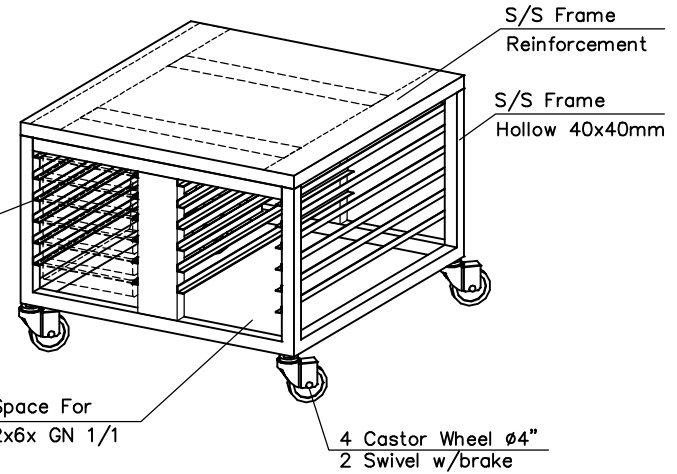
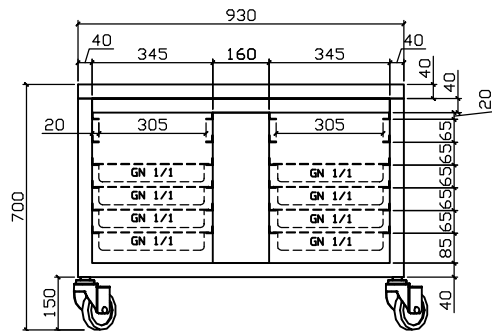


DETAIL POSISI FRAME TOP

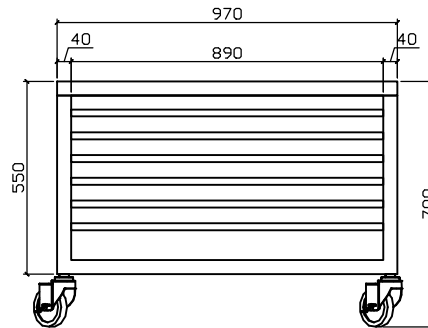
S/S L-Shape  
20x20x970mm  
w/Stopper  
at back side



ISOMETRIC



FRONT



SIDE

REVISI



TITLE : S/S STAND TABLE W/ANGLE GASTRONORM PAN FOR GAS COMBI OVEN EKF 1111GUD

KITCHEN EQUIPMENT  
CUSTOM FABRICATED SHOP DRAWING

DATE	24-06-16	DRAWN BY	EFF	ITEM NO.	02
SCALE	NTS	CHECKED BY		QTY.	1 UNIT
REV. NO.	02	APPROVED BY			
REF. DWG	-				