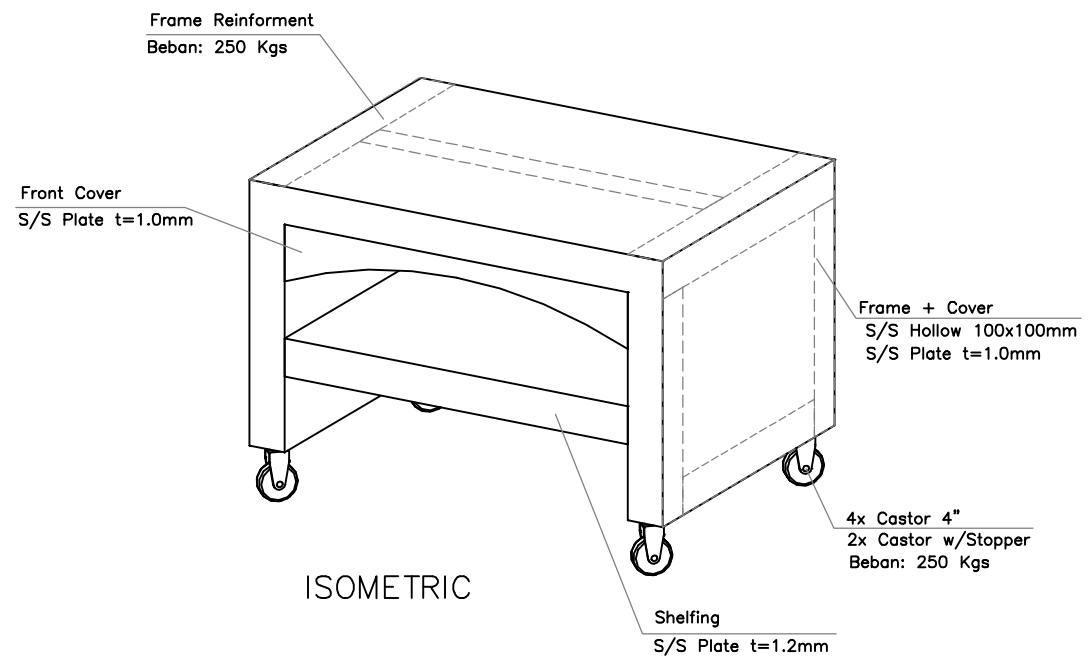
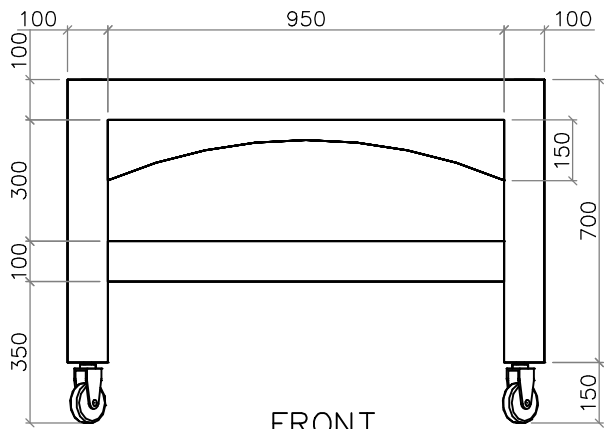


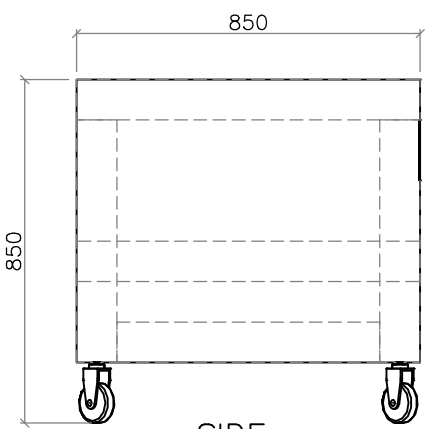
PLAN



ISOMETRIC



FRONT



SIDE

BAHAN : SUS 201



TITLE :	S/S STAND FOR PIZZA OVEN		DATE	27-09-19	DRAWN BY	EFF	ITEM NO.	-
	KITCHEN EQUIPMENT		SCALE	NTS	CHECKED BY		QTY.	1 UNIT
	CUSTOM FABRICATED SHOP DRAWING		REV. NO.	-	APPROVED BY			
			REF. DWG	-				