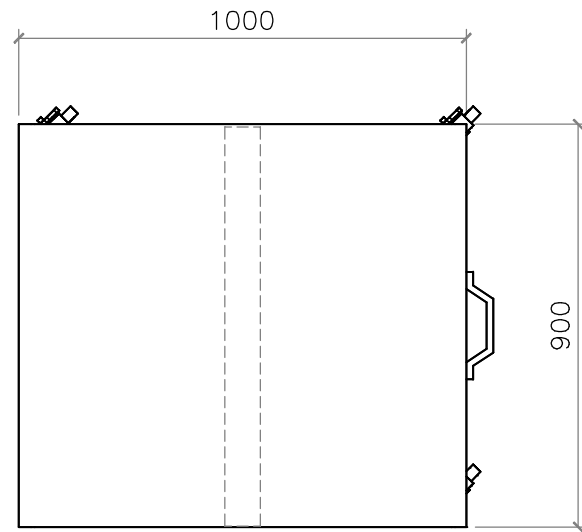
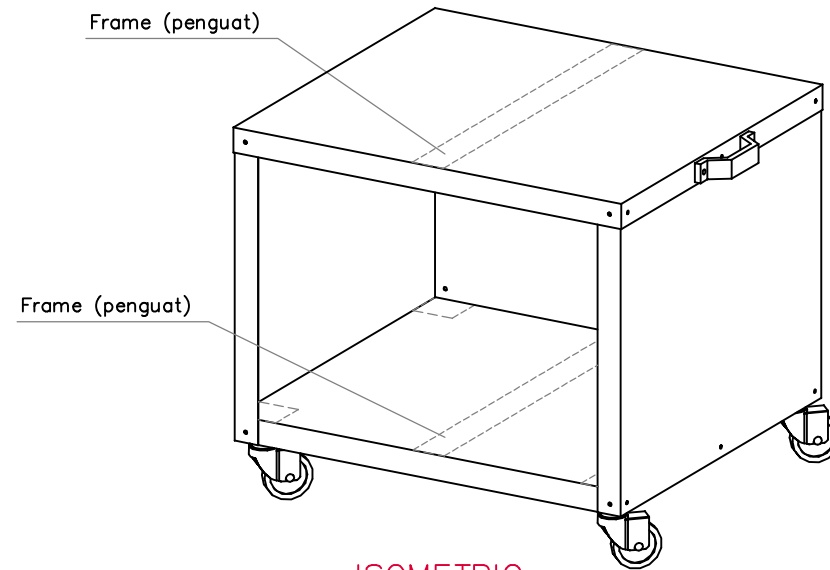


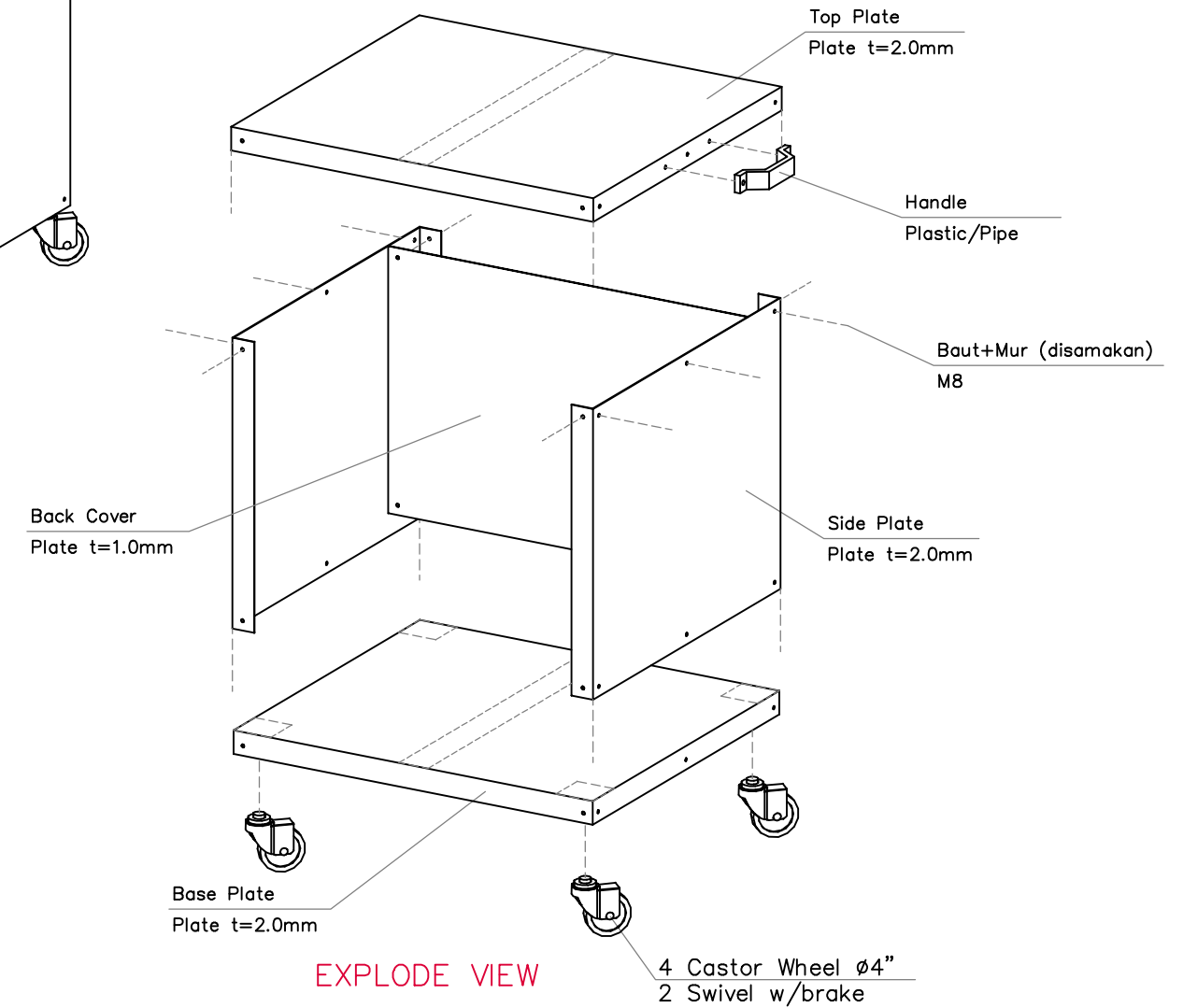
MATERIAL OPTION :  
PELAT BESI/STAINLESS



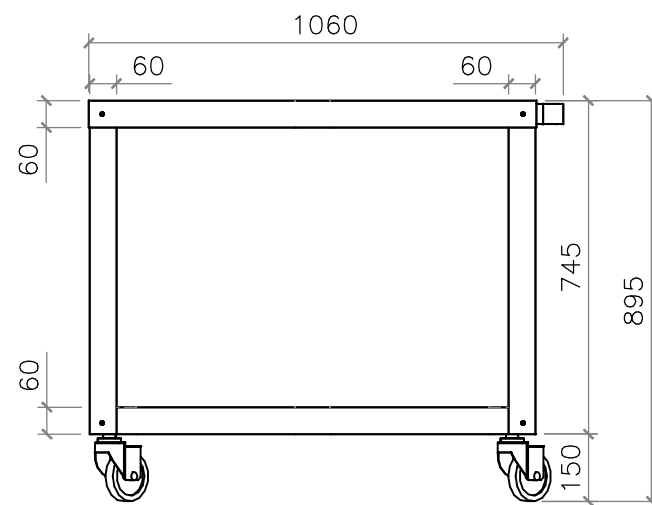
PLAN



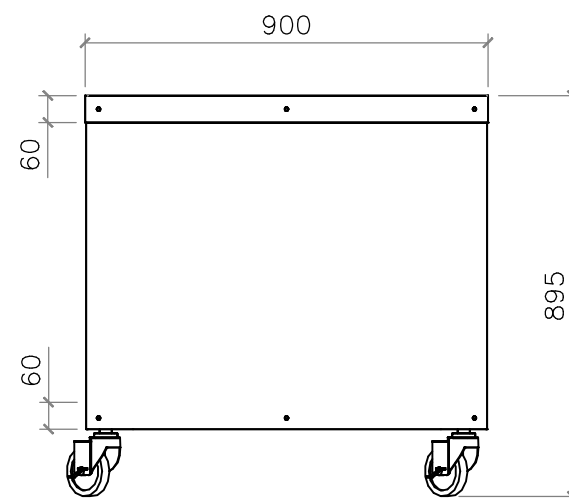
ISOMETRIC



EXPLODE VIEW



FRONT ELEVATION



SIDE ELEVATION

BEBAN MINIMUM = 200 kgs



TITLE : STAND FOR PIZZA OVEN W/WHEEL W/HANDLE  KITCHEN EQUIPMENT CUSTOM FABRICATED SHOP DRAWING	DATE	25-04-19	DRAWN BY	EFF	ITEM NO.
	SCALE	NTS	CHECKED BY		-
	REV. NO.	-	APPROVED BY		QTY.
	REF. DWG	-			1 UNIT