

# BERJAYA®

Quality Variety Reliability

Item No	:	_____	Qty	:	_____
Electrical	:	_____	Volt	:	_____
Options	:	_____			
Price	:	_____			

## Stainless Steel Electrical Pao Steamer



### Features:

- ▶ Adjustable ventilation openings
  - ▶ 2 heater system, for fast heating.
  - ▶ Insulated polycarbonate handle with tong hanging device.
  - ▶ Sight tube - polycarbonate to transparent tube
  - ▶ Double glazing tempered glass with anti-droplet treated glass for clear view.
  - ▶ Chromed Aluminum shelving to avoid oxidation and high surface tension to avoid water
- Completely stainless steel float that water level sensor - long life & trouble free

### Model : ESM44

#### Specifications :

Dimension Top	:	350 x 385 x 605 mm
Dimension Base	:	380 x 400 x 170 mm
Machine Dimension	:	380 x 425 x 795 mm
Packing Dimension	:	510 x 510 x 905 mm
Power (W)	:	1130
Voltage, Frequency( V, Hz)	:	220 - 240, 50 / 60
Weight (kg)	:	30
Packing Volume (m3)	:	0.24

\* Continuing research results in steady improvements; therefore, these specifications are subject to change without prior notice.



#### PT MULTI FLASHINDO KARISMA

##### Jakarta

Jl. Hayam wuruk 114 Blok A No. 4  
Jakarta - Indonesia 11160  
Telp. (021) 626 8758,  
Fax. (021) 625 8473

##### Surabaya :

Jl. Saronu Jiwo No.4  
Surabaya - Indonesia 60299  
Telp. (031) 847 1460,  
Fax. (031) 847 1474

##### Service Center :

Jl. Kamal Raya No.9 RT01/06, Tegal Alur - Cengkareng  
Telp. (021) 5595 2523/ 2952 8135  
Fax. (021) 5595 7271  
Email: service.center@mfk.co.id

 sales.dept@mfk.co.id

 mfk pt

 MFK Channel

 mfk\_pt

 MFK PT

 MFK\_PT

 MFK\_PT

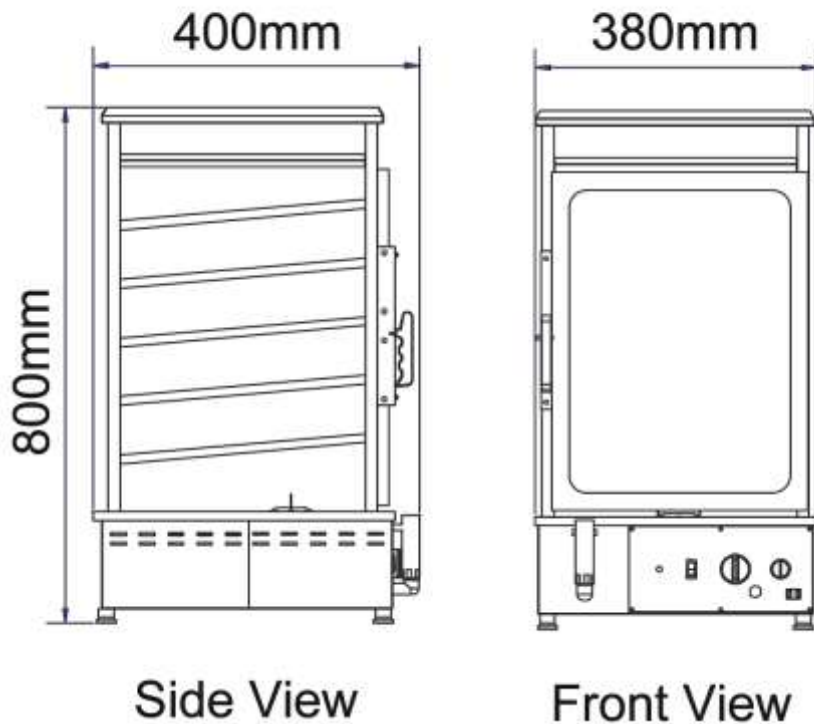
 MFK PT

# BERJAYA®

*Quality Variety Reliability*

## DRAWING DETAIL :

### ESM 44



Side View

Front View



#### PT MULTI FLASHINDO KARISMA

##### Jakarta

Jl. Hayam wuruk 114 Blok A No. 4  
Jakarta - Indonesia 11160  
Telp. (021) 626 8758,  
Fax. (021) 625 8473

##### Surabaya :

Jl. Saronu Jiwo No.4  
Surabaya - Indonesia 60299  
Telp. (031) 847 1460,  
Fax. (031) 847 1474

##### Service Center :

Jl. Kamal Raya No.9 RT01/06, Tegal Alur - Cengkareng  
Telp. (021) 5595 2523/ 2952 8135  
Fax. (021) 5595 7271  
Email: service.center@mfk.co.id

 [sales.dept@mfk.co.id](mailto:sales.dept@mfk.co.id)

 [mfk pt](#)

 [MFK Channel](#)

 [mfk\\_pt](#)

 [MFK PT](#)

 [MFK\\_PT](#)

 [MFK\\_PT](#)

 [MFK PT](#)