

PIRA

70 LUX



90 covers

- Made of cast iron
- Piracold® refrigeration system
- 7 guides
- High temperature resistant glass door
- Front ash drawer
- Built-in firebreak inside the oven
- Analog temperature display
- Exhaust switch to control air flow
- Built-in grease collector
- Standard supply:
 - 1 Meat tongs
 - 1 Poker
 - 1 Inox rod grill Pira 70 LUX



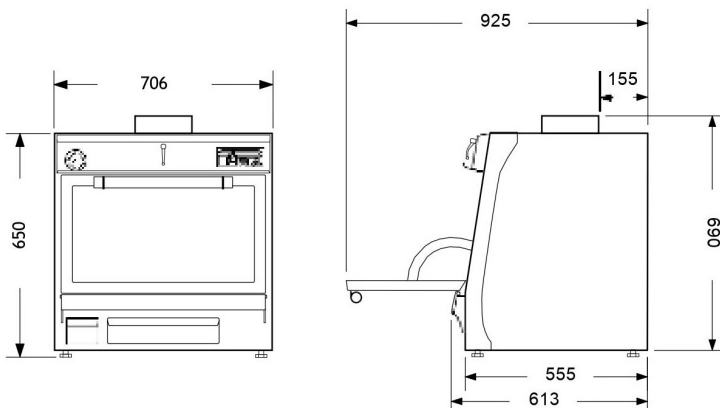
PIRA 70 LUX SD

TECHNICAL INFORMATION

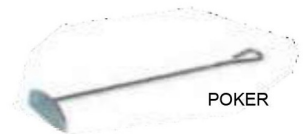
Average production	60 Kg/h
Maximum charcoal capacity	3 Kg
Maximum charcoal consumption	4 Kg. per service
Fire up time	30 min.
Cooking temperature	de 180° C a 350° C
Capacity in GN trays	1 x GN 1/1
Smoke outlet Ø	180 mm
Net weight	122 Kg.
Power equivalence	3,0 KW

INCLUDED ACCESSORIES

REF.	DESCRIPTION
950005	Meat tongs 330 mm
950001	Poker
900045	Rod grill Pira 70 LUX



ROD GRILL PIRA 70 LUX
585 X 465



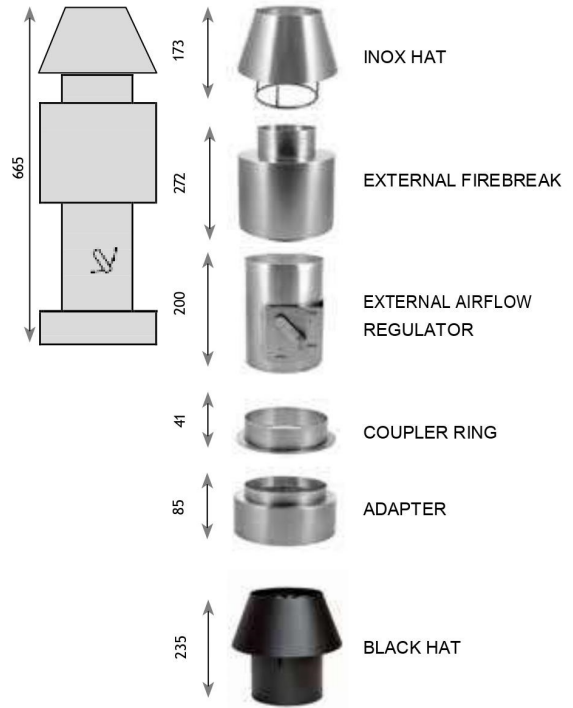
POKER



MEAT TONGS 330 MM

ACCESSORIES

REF.	DESCRIPTION
750002	External airflow regulator
750003	External firebreak
750004	Inox hat
750001	Coupler ring
770245	Coal bunker table Pira 70 LUX
901045	Grooved grill Pira 70 LUX
750005	Adapter
750006	Black hat
920045	Warming tray for dishes Pira 70 LUX
960045	Griddle plate Pira 70 LUX
965070	Support skewers Pira 70 (8 u)
955070	Skewer Pira 70



WARMING TRAY PIRA 70 LUX



GROOVED GRILL PIRA 70 LUX
515 X 470



GRIDDLE PLATE PIRA 70 LUX
525 X 470



SKEWERS SUPPORT PIRA 70 LUX

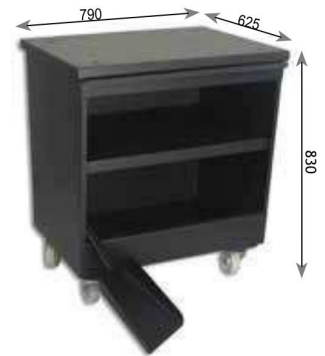
RECOMMENDED PIRA EXTRACTION HOOD

Inverter and intermediate air chamber

REF.	DESCRIPTION
711011	Inox hood 1000 x 1150
790011	Fan motor 12/6 2 HP
790020	Fire fighting system

FILTRATION SMOKES / ODORS

REF.	DESCRIPTION
700011	FUO 6000P
700022	ODORLESS 8000P
700031	HIDROPIRA 6000



COAL BUNKER TABLE PIRA 70 LUX



PT MULTI FLASHINDO KARISMA

Jakarta

Jl. Hayam wuruk 114 Blok A No. 4
Jakarta - Indonesia 11160
Telp. (021) 626 8758,
Fax. (021) 625 8473

Surabaya :

Jl. Saroni Jiwo No.4
Surabaya - Indonesia 60299
Telp. (031) 847 1460,
Fax. (031) 847 1474

Service Center :

Jl. Kamal Raya No.9 RT01/06, Tegal Alur - Cengkareng
Telp. (021) 5595 2523/ 2952 8135
Fax. (021) 5595 7271
Email: service.center@mfk.co.id