



Merapi Parrilla Grill

Item No :	Qty :
Electrical :	Volt :
Options :	
Price :	



DESCRIPTION

Charcoal Robata Grill for multi-level grilling with two, individually height-adjustable grills.

Made of stainless steel, equipped with a castable insulated chamber for charcoal embers and an incorporated blower system which streamlines the formation of the embers.

Supplied with a rack to accept GN containers for condiments and a spacious cabinet with doors for storage purposes.

MAIN FEATURES

- Castable insulated chamber for charcoal embers.
- Castable insulated chamber for charcoal embers.
- Concealed blower.
- Condiment rack for GN-containers.
- Spacious base cabinets with two doors.
- CE certified unit.

CONSTRUCTION

- Sturdy frame made of stainless steel AISI 430.
- Stainless steel top panel (1.5 mm), AISI 304 with orbital surface pattern.
- Front and side panels (1.0 mm) made of stainless steel AISI 304 with hairline surface pattern.
- Back panel (1.0 mm) made of stainless steel AISI 304 with hairline surface pattern.
- Tubular, height adjustable (± 25 mm) stainless steel legs.

INCLUDED ACCESSORIES

- Stainless steel BBQ/Yakitory/Robata grills.
- Stainless steel containers GN 1/4-100 (4 pcs).

OPTIONAL ACCESSORIES

- Set of swivel castors 5" (4 pcs) - of which two are breakable.



PT MULTI FLASHINDO KARISMA

Jakarta

Jl. Hayam wuruk 114 Blok A No. 4
Jakarta - Indonesia 11160
Telp. (021) 626 8758,
Fax. (021) 625 8473

Surabaya :

Jl. Saroni Jiwo No.4
Surabaya - Indonesia 60299
Telp. (031) 847 1460,
Fax. (031) 847 1474

Service Center :

Jl. Kamal Raya No.9 RT01/06, Tegal Alur - Cengkareng
Telp. (021) 5595 2523/ 2952 8135
Fax. (021) 5595 7271
Email: service.center@mfk.co.id

 sales.dept@mfk.co.id

 [mfk pt](#)

 [MFK Channel](#)

 [mfk_pt](#)

 [MFK PT](#)

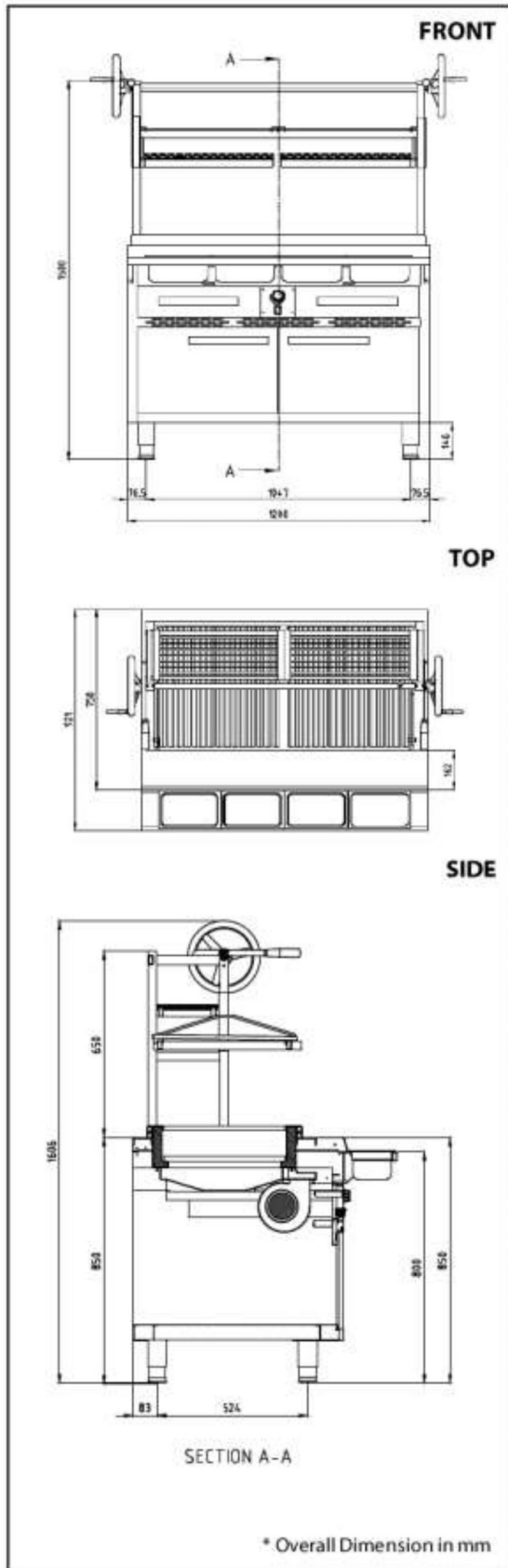
 [MFK_PT](#)

 [MFK_PT](#)

 [MFK PT](#)



Merapi Parrilla Grill



KEY INFORMATION

BBQ / Robata Grill	: (510 x 500 mm) x 2
Yakitory Grill	: (550 x 180 mm) x 2

TECHNICAL DATA

External Dimensions

Width	: 1200 mm
Depth	: 750 mm
Height	: 850/1605 mm

Electrical Supply Data

Total connected load	: 0.12 kW
Voltage	: 230V, 1NPE AC / 50-60 Hz
Recommended fuse	: N/A

PACKAGING DATA

Width	: 1230 mm
Depth	: 780 mm
Height	: 1725 mm
Volume	: 1.65 m ³

WEIGHT

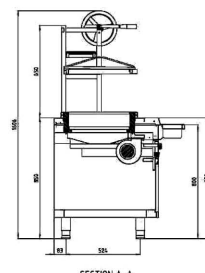
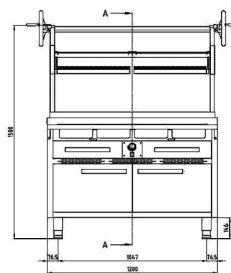
Net Weight	: 215 kg
Gross Weight	: 245 kg



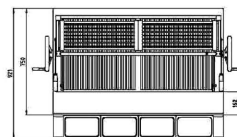
MERAPI

CHARCOAL PARILLA GRILL WITH BLOWER

Kombinasi dari Robata/Yakitori & BBQ Charcoal Grill. Alat ini memberikan cara yang artistik dan menarik untuk memanggang daging, ikan, dan sayuran langsung didepan customer. Alat ini terbuat dari *stainless steel* dan *corporate blower system* yang mempersingkat pembentukan bara dan dilengkapi dengan laci pembuangan abu.



SECTION A-A



Technical Specification

Model	MCP1200
Dimension (mm)	Width:1200 Depth:750 Height:850/1500
Electric Consumption	0.12 Kw
Electric Connection	1 N AC 220V 50/60Hz



PT MULTI FLASHINDO KARISMA

Jakarta

Jl. Hayam wuruk 114 Blok A No. 4
Jakarta - Indonesia 11160
Telp. (021) 626 8758,
Fax. (021) 625 8473

Surabaya :

Jl. Sarono Jiwo No.4
Surabaya - Indonesia 60299
Telp. (031) 847 1460,
Fax. (031) 847 1474

Service Center :

Jl. Kamal Raya No.9 RT01/06, Tegal Alur - Cengkareng
Telp. (021) 5595 2523/ 2952 8135
Fax. (021) 5595 7271
Email: service.center@mfk.co.id