



ISK-100

ELECTRIC SOUP KETTLE

JCOOK**ELECTRIC SOUP KETTLE****MODEL: ISK-100**

JCOOK ISK-100 is an electric induction soup kettle designed for 100L liquid food preparation. The unit operates with an electricity-powered induction system and is configured for commercial kitchen applications requiring controlled heating in a kettle format.

The unit is equipped with push button and knob control operation, supported by temperature control and timer setting functions. Temperature control range is 40-100°C for controlled heating during operation.

ISK-100 is positioned for high-volume soup, broth, sauce, and liquid-based food production where 100L batch capacity and 2 Inch outlet discharge are required.

FITUR:

- Sistem electric induction soup kettle
- Pengoperasian menggunakan listrik
- Kontrol push button
- Kontrol knob
- Fungsi temperature control
- Fungsi timer setting
- Rentang temperature control 40-100°C
- Kapasitas kettle 100L
- Outlet 2 Inch untuk pembuangan produk
- Konfigurasi listrik 360-410 V / 50-60 Hz / 3 Phase
- Konsumsi daya 12 Kw/Hr
- Struktur / material: by request

**PT MULTI FLASHINDO KARISMA****JAKARTA (Head Office)**

Jl. Hayam Wuruk 114 Blok A No. 4
Maphar, Jakarta - Indonesia 11160
Telepon : +62 21 626 8758
Whatsapp : +62 811 1210 6803
Email : sales.dept@mfk.co.id

SURABAYA

Ruko Royal Crown Palace RA 2
Jl. H. Anwar Hamzah, Kp. Baru, Tambakoso,
Kec. Waru, Kab. Sidoarjo, Jawa Timur 61256
Telepon : +62 31 3592 9091
Whatsapp : +62 811 1210 6803
Email : sales.sby@mfk.co.id

BALI

Jl. Sunset Road No.108 B, Kec. Kuta
Kel. Badung, Bali - Indonesia 80361
Telepon : +62 361 934 2633
Whatsapp : +62 811 1210 6803
Email : sales.bali@mfk.co.id

SERVICE CENTER

Jl. Kamal Raya No.9 Unit B, RT 01/ RW 06
Tegal Alur, Cengkareng - Indonesia 11820
Telepon : +62 21 5595 2523
Whatsapp : +62 811 9144 614
Email : service.center@mfk.co.id



ISK-100

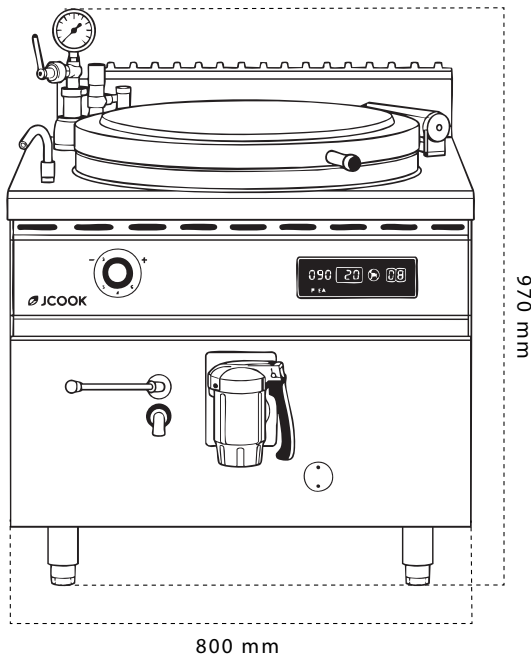
ELECTRIC SOUP KETTLE

**SPESIFIKASI:****MODEL: ISK-100**

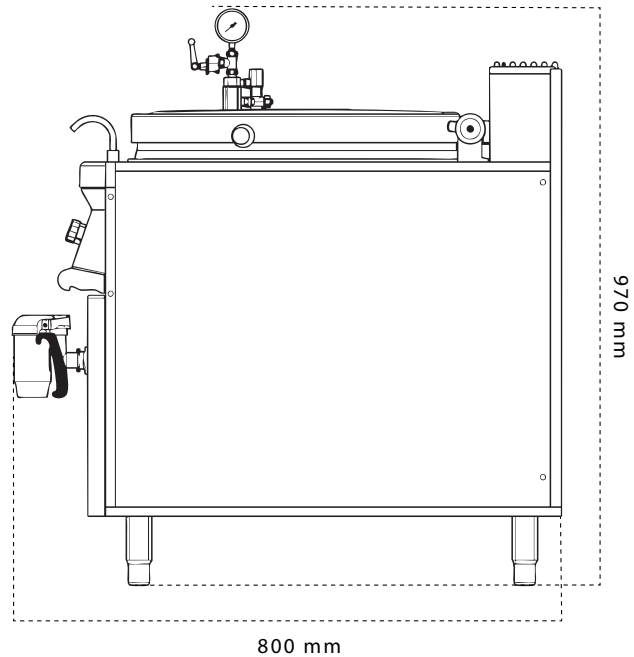
Dimensi (p x l x t)	:	800 × 900 × 970 mm
Sumber Daya	:	Listrik
Daya Listrik	:	12 Kw / Hr
Tegangan / Frekuensi / Phase	:	360 - 410 V / 50 - 60 Hz / 3 Phase
Rentang Kontrol Suhu	:	40 - 100 °C
Kapasitas	:	100 L
Saluran Pembuangan	:	2 Inch
Berat	:	124 Kg

DIMENSI:

TAMPAK DEPAN



TAMPAK SAMPING

**PT MULTI FLASHINDO KARISMA**

□ JAKARTA (Head Office)
Jl. Hayam Wuruk 114 Blok A No. 4
Maphar, Jakarta - Indonesia 11160
Telepon : +62 21 626 8758
Whatsapp : +62 811 1210 6803
Email : sales.dept@mfk.co.id

□ SURABAYA
Ruko Royal Crown Palace RA 2
Jl. H. Anwar Hamzah, Kp. Baru, Tambakoso,
Kec. Waru, Kab. Sidoarjo, Jawa Timur 61256
Telepon : +62 31 3592 9091
Whatsapp : +62 811 1210 6803
Email : sales.sby@mfk.co.id

□ BALI
Jl. Sunset Road No.108 B, Kec. Kuta
Kel. Badung, Bali - Indonesia 80361
Telepon : +62 361 934 2633
Whatsapp : +62 811 1210 6803
Email : sales.bali@mfk.co.id

□ SERVICE CENTER
Jl. Kamal Raya No.9 Unit B, RT 01/ RW 06
Tegal Alur, Cengkareng - Indonesia 11820
Telepon : +62 21 5595 2523
Whatsapp : +62 811 9144 614
Email : service.center@mfk.co.id