



**HOSHIZAKI**

## > IM-130A

daily ice production capacity of up to 126kg



Cube ice is perfectly symmetrical and leaves a good impression with its hard, crystal clear quality that melts very slowly; allowing customers to enjoy their favourite drink longer. The I-Fit series of cube ice maker produces standard size ice (28x28x32mm) that is applicable in many settings and designed for uncomplicated usage from start to finish.



> IM-130A

CUBE ICE MAKER SERIES

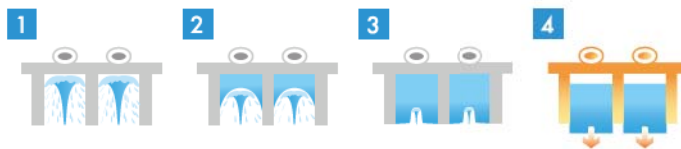
**I-FIT**  
SERIES

### FEATURES

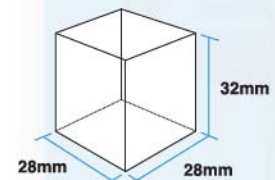
- > flush-back design for easy installation
- > round front door for quick access to ice
- > one-piece door design and pull-out air filter for simple cleaning
- > front water valve access for easy serviceability
- > sharp stainless steel exterior



### UNIQUE ICE PRODUCTION SYSTEM

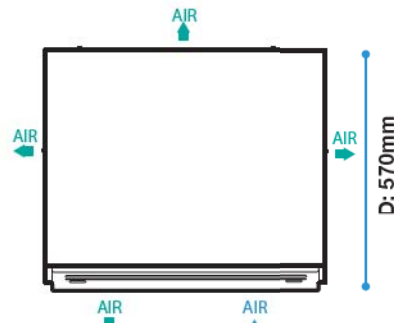


### ICE SIZE

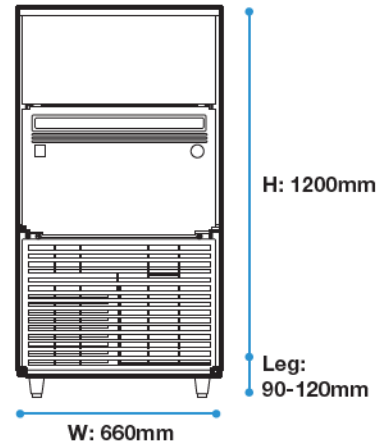


# DIMENSIONS & SPECIFICATION

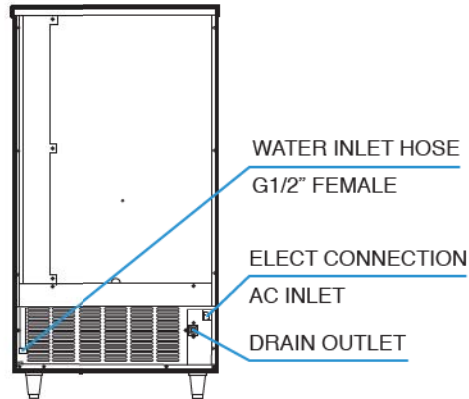
CUBE ICE MAKER  
AIR SYSTEM TOP VIEW



FRONT VIEW



BACK VIEW



<b>MODEL NAME</b>		<b>IM-130A</b>
<b>ICE DIMENSIONS (MM) (W x D x H)</b>		28 x 28 x 32
<b>DIMENSIONS (MM) (W x D x H)</b>		Body : 660 x 570 x 1200 / Leg Height : 90-120 mm
<b>PACKED DIMENSIONS (MM) (W x D x H)</b>		760 x 680 x 1389
<b>WEIGHT (NETT/GROSS)</b>		79 KG / 98 KG
<b>AMPERAGE / STARTING AMPERAGE</b>		2.7A / 25A
<b>ELECTRICAL CONSUMPTION</b>		630 W
<b>REFRIGERANT CHARGE</b>		R404a
<b>HEAT REJECTION (AT32°C/WT21°C)</b>		1410 W (1213 kcal/h)
<b>ICE PRODUCTION PER 24H (15MM)</b>	(AT10°C/WT10°C)	126 KG
	(AT21°C/WT15°C)	125 KG
	(AT32°C/WT21°C)	100 KG
<b>WATER CONSUMPTION PER 24H (AT21°C/WT15°C)</b>		0.25 m <sup>3</sup> 2.0L / 1KG ICE
<b>ICE PRODUCTION (AT21°C/WT15°C)</b>	<b>FREEZE CYCLE TIME</b>	23 MIN
	<b>PER CYCLE</b>	1.8 KG / 80 PCS
<b>STORAGE CAPACITY</b>		52 KG

• **WARRANTY:**  
Two years parts & labour for entire unit, 3<sup>rd</sup> year on compressor only. Excluding door & exterior damages

**OPERATING CONDITIONS:** • Voltage Range: ±6% • Ambient Temperature: 1°-40°C  
• Water Supply: 5°-35°C / 0.07-0.8 Mpa / 7.25-116 PSI • AC Supply Voltage: 1/220-240V / 50 Hz

51