



HOSHIZAKI

> **KM-100A**

daily ice production capacity of up to 101kg

> **KM-125A**

daily ice production capacity of up to 128kg



Crescent-shaped ice moves around freely yet packs together tightly in its bin, maximising storage capacity. Individual crescents do not stick together as there are no air pockets so that each piece of ice comes across distinctive in a cup of drink.



> KM-100A

CRESCENT ICE MAKER SERIES

FEATURES

- > slide-in air filter for easy cleaning
- > automatic self-flushing
- > audible controller board
- > stainless steel evaporator
- > flush mount to back wall
- > quiet 58db noise level

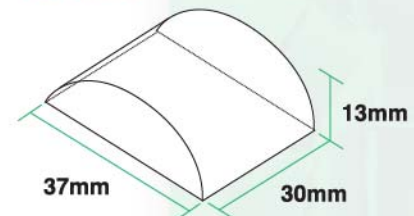


Clear Individual Crescent Ice



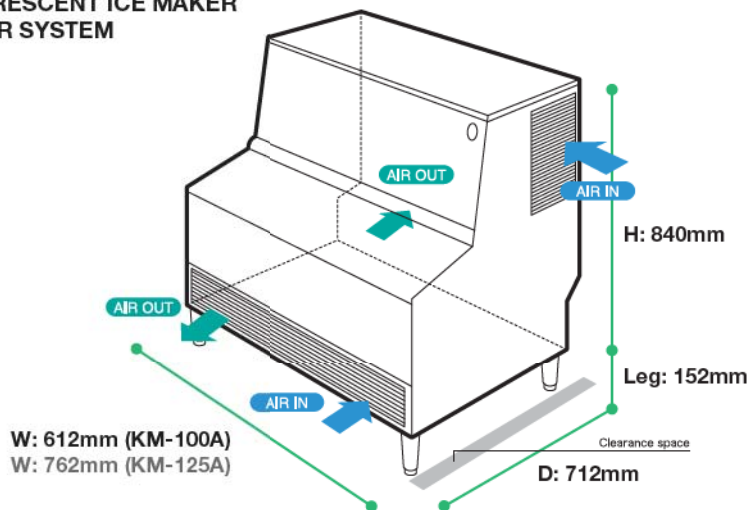
Upward Open door for easy access

ICE SIZE

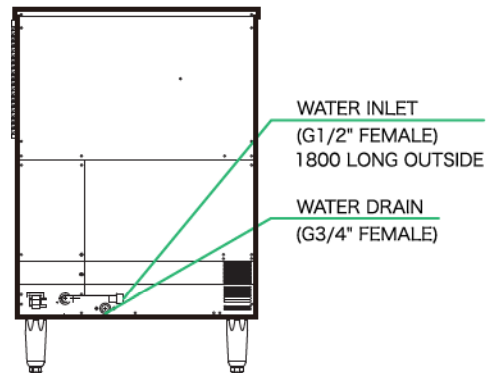


DIMENSIONS & SPECIFICATION

CRESCENT ICE MAKER AIR SYSTEM



BACK VIEW



MODEL NAME		KM-100A	KM-125A
ICE DIMENSIONS (MM)		37 x 30 x 13	
DIMENSIONS (MM)		Body: 612 x 712 x 840 / Leg Height: 152 mm	Body: 762 x 712 x 840 / Leg Height: 152 mm
PACKED DIMENSIONS (MM)		695 x 800 x 955	845 x 800 x 955
WEIGHT (NETT/GROSS)		62 KG / 75 KG	70 KG / 85 KG
AMPERAGE / STARTING AMPERAGE		3.4A / 15A	4.5A / 19A
ELECTRICAL CONSUMPTION		584 W	774 W
REFRIGERANT CHARGE		R404a	
HEAT REJECTION		1250 W (1075 kcal/h)	1650 W (1420 kcal/h)
ICE PRODUCTION PER 24H (15MM)	(AT10°C/WT10°C)	101 KG	128 KG
	(AT21°C/WT15°C)	88 KG	115 KG
	(AT32°C/WT21°C)	64 KG	102 KG
WATER CONSUMPTION PER 24H (AT21°C/WT15°C)		0.22 m ³	0.40 m ³
		2.5L / 1KG ICE	3.5L / 1KG ICE
ICE PRODUCTION (AT21°C/WT15°C)	FREEZE CYCLE TIME	29 MIN	24 MIN
	PER CYCLE	1.7 KG / 182 PCS	2.1 KG / 238 PCS
STORAGE CAPACITY		45 KG	55 KG

• **WARRANTY:**
Two years parts & labour for entire unit, 3rd year on compressor only. Excluding door & exterior damages

OPERATING CONDITIONS: • Voltage Range: 198V-254V • Ambient Temperature: 1°-40°C
• Water Supply: 5°-35°C / 0.07-0.8 Mpa / 7.25-116 PSI • AC Supply Voltage: 1/220-240V / 50 Hz

R2