

Item No	:		Qty	:	
Electrical	:		Volt	:	
Options	:				
Price	:				

UVGI Return Air Grill



Application

- ▶ The UVGI Return Air Grill is a 24" by 24" ceiling Return grill to replace Standard Return Grills.

Specification

- ▶ Provide a Halton UVGI-RA Return Air Grill Ultraviolet Light Germicidal Irradiation unit. The unit exterior shall be constructed of aluminized steel with a powder coat baked enamel finished intake plate. The intake plate shall be hinged for service.
- ▶ The unit shall be equipped with 2 UVGI tubes rated At 13,000 hours and 254nm. UV-C bulbs outside of the 254nm range or producing ozone are expressly Prohibited. Each UVGI bulbs shall have an output of 75 microwatts per square centimeter.
- ▶ The unit shall come equipped with safety interlocks to limit accidental exposure to UV-C lights. The maximum airflow for the UVGI-RA Return Grill is 650 CFM. Higher volumes yield a reduced inactivation rate of airborne pathogens.
- ▶ Interconnecting cables to daisy chain with other UVGI-RA return air grills provided. The system requires a master control panel connected via data cabling to each UVGI-RA unit. The unit will not interfere with the HVAC system unit operation. The unit shall be built with UL listed components.

Model : UVGI-RG

Specifications :

Voltage	:	220-240 / 1
Power	:	375 watt
Dimension	:	755 (W) x 602 (D) x 148 (H) cm
Net Weight	:	18 Kg

* Continuing research results in steady improvements; therefore, these specifications are subject to change without prior notice.



PT MULTI FLASHINDO KARISMA

Jakarta

Jl. Hayam wuruk 114 Blok A No. 4
Jakarta - Indonesia 11160
Telp. (021) 626 8758,
Fax. (021) 625 8473

Surabaya :

Jl. Sarono Jiwo No.4
Surabaya - Indonesia 60299
Telp. (031) 847 1460,
Fax. (031) 847 1474

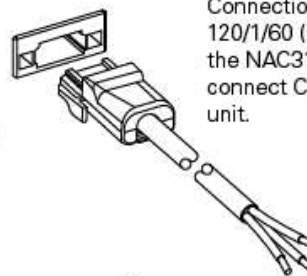
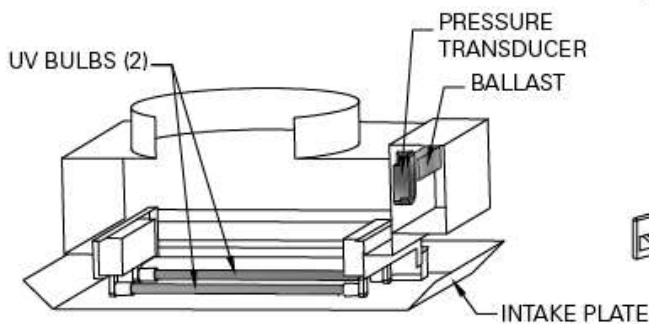
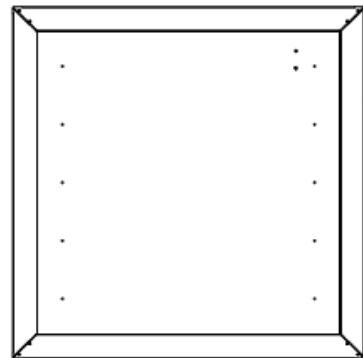
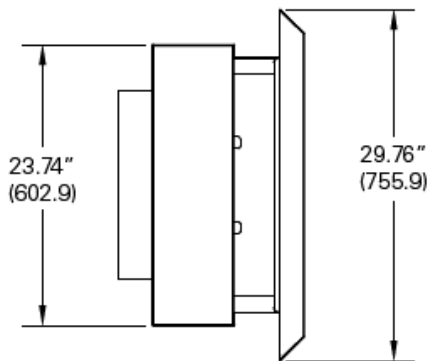
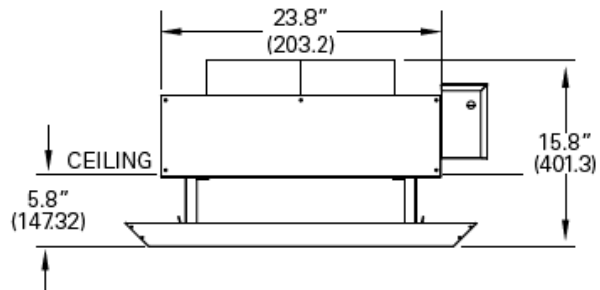
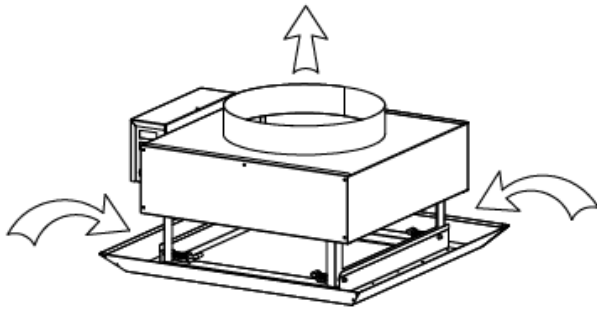
Service Center :

Jl. Kamal Raya No.9 RT01/06, Tegal Alur - Cengkareng
Telp. (021) 5595 2523/ 2952 8135
Fax. (021) 5595 7271
Email: service.center@mfk.co.id

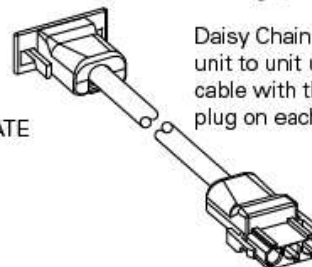
Halton

Dimensional Data

Weight: 40 lbs (18 kg)



Connection from Control Panel: 120/1/60 (Hot-N-G). Halton supplies the NAC31S.W plug for installer to connect Control Panel to the primary unit.



Daisy Chain Connection from unit to unit using a 3 wire cable with the NAC31S.W plug on each end.



PT MULTI FLASHINDO KARISMA

Jakarta

Jl. Hayam wuruk 114 Blok A No. 4
Jakarta - Indonesia 11160
Telp. (021) 626 8758,
Fax. (021) 625 8473

Surabaya :

Jl. Saronu Jiwo No.4
Surabaya - Indonesia 60299
Telp. (031) 847 1460,
Fax. (031) 847 1474

Service Center :

Jl. Kamal Raya No.9 RT01/06, Tegal Alur - Cengkareng
Telp. (021) 5595 2523/ 2952 8135
Fax. (021) 5595 7271
Email: service.center@mfk.co.id