

# BERJAYA®

Quality Variety Reliability

Item No	:	_____	Qty	:	_____
Electrical	:	_____	Volt	:	_____
Options	:	_____			
Price	:	_____			

## GAS TILTING KETTLE



### Features:

- ▶ The gas tilting kettle is designed for you to fry, boil, grill, simmer and braise big quantity of dishes without problems of handing extra utensils.
- ▶ Elegant design.  
Manual tilting by manual wheel  
Multi Tube Burner.  
Removable oil drips pan for easy cleaning.
- ▶ Body and cover - Fully stainless steel constructed, hygienic and easy to clean.
- ▶ Two H cast iron burners.  
Piezo ignitor system for easy lighting and thermocouple safety device.

**Model : TP3237**

### Specifications :

Pan Capacity (Litres)	:	80
Pan Dimension (Ø x H) (mm)	:	740 x 600 x 200
Gas Consumption Btu / Hr (MJ / Hr)	:	52,000 (55)
Product Dimension	:	940 x 1040 x 980
Weight (kg)	:	154

\* Continuing research results in steady improvements; therefore, these specifications are subject to change without prior notice.



### PT MULTI FLASHINDO KARISMA

#### Jakarta

Jl. Hayam wuruk 114 Blok A No. 4  
Jakarta - Indonesia 11160  
Telp. (021) 626 8758,  
Fax. (021) 625 8473

#### Surabaya :

Jl. Saronu Jiwo No.4  
Surabaya - Indonesia 60299  
Telp. (031) 847 1460,  
Fax. (031) 847 1474

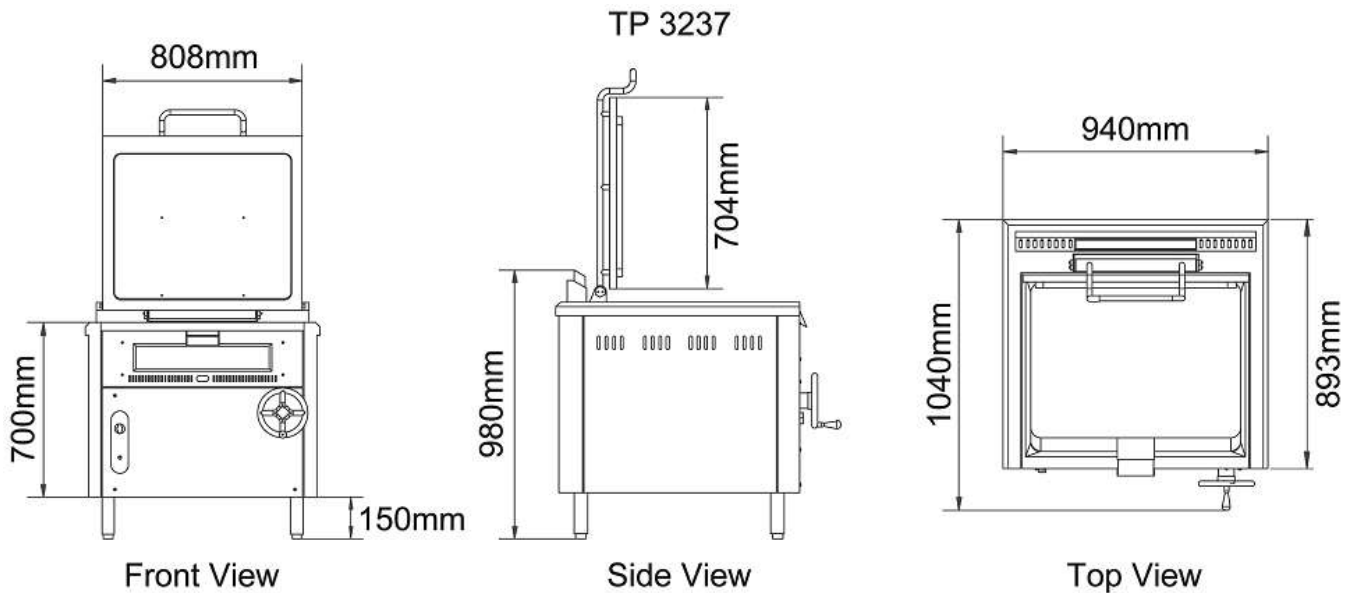
#### Service Center :

Jl. Kamal Raya No.9 RT01/06, Tegal Alur - Cengkareng  
Telp. (021) 5595 2523/ 2952 8135  
Fax. (021) 5595 7271  
Email: service.center@mfk.co.id

# BERJAYA®

Quality Variety Reliability

## DRAWING DETAIL :



**PT MULTI FLASHINDO KARISMA**

**Jakarta**

Jl. Hayam wuruk 114 Blok A No. 4  
Jakarta - Indonesia 11160  
Telp. (021) 626 8758,  
Fax. (021) 625 8473

**Surabaya :**


Jl. Saronu Jiwo No.4  
Surabaya - Indonesia 60299  
Telp. (031) 847 1460,  
Fax. (031) 847 1474

**Service Center :**

Jl. Kamal Raya No.9 RT01/06, Tegal Alur - Cengkareng  
Telp. (021) 5595 2523/ 2952 8135  
Fax. (021) 5595 7271  
Email: service.center@mfk.co.id

 [sales.dept@mfk.co.id](mailto:sales.dept@mfk.co.id)

 [mfk pt](#)

 [MFK Channel](#)

 [mfk\\_pt](#)

 [MFK PT](#)

 [MFK\\_PT](#)

 [MFK\\_PT](#)

 [MFK PT](#)