

# BERJAYA®

Quality Variety Reliability

Item No	:	_____	Qty	:	_____
Electrical	:	_____	Volt	:	_____
Options	:	_____			
Price	:	_____			

## ELECTRICAL RICE WARMER



### Features:

- ▶ High quality and durable rice warmer
- ▶ Efficient and economic heating element and parts
- ▶ Stainless steel body construction and surface
- ▶ Keeps prepared rice hot for hours without altering consistency

### Model : BJY-ERW13

#### Specifications :

Product Dimension	:	455Ø x 355
Capacity (Litres)	:	13
Weight (Kg)	:	9.5
Voltage / Phase (V/Ph)	:	220 - 240 / 1
Frequency (Hz)	:	50 / 60

\* Continuing research results in steady improvements; therefore, these are subject to change without prior notice.



#### PT MULTI FLASHINDO KARISMA

##### Jakarta

Jl. Hayam wuruk 114 Blok A No. 4  
Jakarta - Indonesia 11160  
Telp. (021) 626 8758,  
Fax. (021) 625 8473

##### Surabaya :

Jl. Sarono Jiwo No.4  
Surabaya - Indonesia 60299  
Telp. (031) 847 1460,  
Fax. (031) 847 1474

##### Service Center :

Jl. Kamal Raya No.9 RT01/06, Tegal Alur - Cengkareng  
Telp. (021) 5595 2523/ 2952 8135  
Fax. (021) 5595 7271  
Email: service.center@mfk.co.id

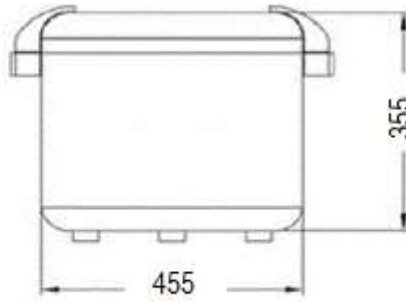
# BERJAYA®

*Quality Variety Reliability*

## DRAWING DETAIL :



Side View



Front View



### **PT MULTI FLASHINDO KARISMA**

#### **Jakarta**

Jl. Hayam wuruk 114 Blok A No. 4  
Jakarta - Indonesia 11160  
Telp. (021) 626 8758,  
Fax. (021) 625 8473

#### **Surabaya :**

Jl. Sarono Jiwo No.4  
Surabaya - Indonesia 60299  
Telp. (031) 847 1460,  
Fax. (031) 847 1474

#### **Service Center :**

Jl. Kamal Raya No.9 RT01/06, Tegal Alur - Cengkareng  
Telp. (021) 5595 2523/ 2952 8135  
Fax. (021) 5595 7271  
Email: service.center@mfk.co.id

 [sales.dept@mfk.co.id](mailto:sales.dept@mfk.co.id)

 [mfk pt](#)

 [MFK Channel](#)

 [mfk\\_pt](#)

 [MFK PT](#)

 [MFK\\_PT](#)

 [MFK\\_PT](#)

 [MFK PT](#)